

GAS
AUDIO POWER

MAD
USER
MANUAL



MAD PX2

PX2-64

MADE TO PLAY LOUD

WE PLAY LOUD!!

We know what you want. You want it LOUD, and that is exactly what we do, what we live for. Vibrations, gut-punches and straight up loud music - that's what makes us tick. We won't dress up in fancy words or claim to be something we're not. We are the NO BULLSH!T car audio brand!










Every single product with the GAS logo on it is born out of passion, the same that has driven us for two generations and that will keep us rolling up to your neighbourhood, winning and pushing the limits for many generations to come!

It's up to you to choose your own level of loud, and if you don't like what we do that's OK. You are welcome back when you've had your first true GAS experience. We don't exclude, we don't judge and we do not make up any excuses for who we are.

We are GAS and we are proud to be LOUD!

GAS


TABLE OF CONTENT

 SAFETY.....	3
 UNPACKING.....	4
 DIMENSIONS.....	4
 SPECIFICATIONS.....	5
MAD PX2-64.....	5
 FEATURES.....	6
Wreak some havoc.....	6
Passionate about LOUD.....	6
Built to be crazy.....	6
Doing it the SPL way.....	6
 HOW TO.....	7
Install speakers.....	7
Speaker placement.....	9
 TROUBLESHOOTING.....	10
No power/sound.....	10
Unwanted noise.....	10
Distortion.....	10
 WARRANTY & DISPOSAL	11
 THE GAS WORLD.....	12



SAFETY

PLAY LOUD & SAFE. Read through this information, follow the instructions and save the manual for future usage and reference.

Make sure to pay attention to the instructions when you see this symbol: 

Do not expose the wiring to your new speaker to excessive damp or moisture. If the speaker's wiring is exposed it might result in electric failure, shock or damage to the product. Servicing is required when the product has been damaged in any way and/or doesn't operate normally. Refer all servicing to qualified service personnel only.

Keep the cables inside the vehicle separate from sharp edges or components that may be affected or take damage. Follow the recommended cable sizes and always use high quality cables and accessories. Even if you're eager to put the speakers to use – take no shortcuts when installing the cables, make sure that all connectors are protected and secured.

Do not drill any holes without checking what lies beneath, and don't cut anything without making sure that no important components risk being damaged.

There is a first time for everything, if you need help – ask a friend or contact your local GAS AUDIO POWER dealer/installer.

We want you to experience your product's MAD sound, but we don't want you to injure yourself or others. Use common sense, respect high pressure levels and volume, and follow your local laws and regulations.

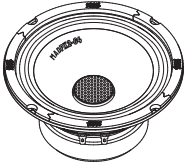
To get the best performance out of your new speaker/speakers we strongly suggest to use a highpass filter with at least 12 dB slope.

Recommended cross over:
HPF @ 80-120Hz (12dB/Oct) for PX2-64



UNPACKING

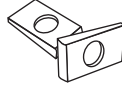
Unboxing your new MAD product is an experience, make sure that the speakers and all the accessories are included in the packaging:



Speakers
(2pcs)



Manual
(1pc)

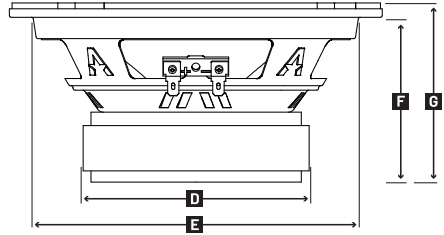
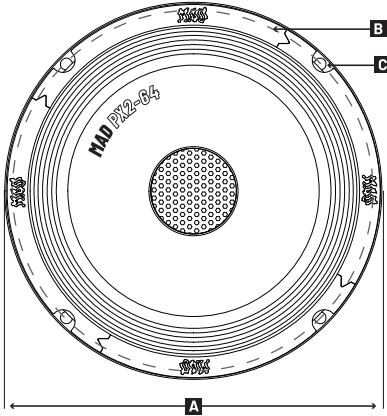


V-type clips
(8pcs)



Screws
(8pcs)

DIMENSIONS



	A	B	C	D	E	F	G	
PX2-64	Ø165	Ø157	5.2	Ø100	Ø144	74	78	mm



SPECIFICATIONS

Below you'll find the specifications that has been checked and tested in our workshop. The specified sensitivity isn't directly connected with the sound pressure in the vehicle, and shouldn't be used as the sole indicator for comparison with other speakers.

MAD PX2-64	
Component	SPL coaxial
Woofer size	6.5" (165mm)
Tweeter size	1" (25mm) Piezo Electric
Nominal impedance	4 Ohm
Power RMS	100W
Power MAX	200W
Freq. response	95-23 000Hz
Sensitivity	95dB
Voice coil	1.5" (38mm)
Voice coil wire WF	Copper
Woofer cone	Reinforced pressed paper
Woofer basket	Steel
Woofer suspension	2R cloth surround
Woofer magnet	HQ Ferrite
Woofer spider	Polycotton
Shorting ring	Copper
Terminal	S2 screw /spade

	PX2-64
Vas	7.8 L
Qts	0.76
Qes	0.84
Qms	7.08
Re	3.40 Ohm
Fs	99.6 Hz



FEATURES

The MAD coaxial speakers are made to be LOUD and last for years to come. We want to help you and your vehicle to be as LOUD as possible. We've made sure that is the case by using innovative and groundbreaking techniques that increase durability.

WREAK SOME HAVOC

The louder it gets, the happier we are. Just for this reason, we've created something extraordinary. A full range 6.5 inch coaxial speaker that's full of pure SPL potential. Put the MAD PX2-64 wherever you can: an enclosure, a car door, the rear shelf or whatever. It's all up to you, but make sure that you're the envy of everyone you know. Show them what you got and make it as LOUD as you possibly can!

PASSIONATE ABOUT LOUD

Get ready to queue your favorite song and push your sound system to the edge! The MAD PX2-64 is equipped with a reinforced paper cone and Piezoelectric tweeter that can handle your awesome music taste. It's built for SPL, resistant to overloads and full range enhanced. One speaker to do it all, and do it really well.

BUILT TO BE CRAZY

We could talk about this speaker all day long. The MAD PX2-64 has the same 3R Cloth surround as the PM2 midrange speakers to give you the right moves, just like you want it. While you're showing off your friends what you've got, the copper shorting ring lowers distortion and the DVS ventilation takes care of all the heat. This coaxial speaker got your back and will bring the best out of your favorite tunes!

DOING IT THE SPL WAY

You can do better than two pairs of speakers, come on! More is always better, and we want you to be as LOUD as you possibly can. To make this easier, we've placed two S2 Screw/Spade Crosshead terminals on the speaker. So you can build, expand and upgrade your sound system without wasting time on installation.

HOW TO

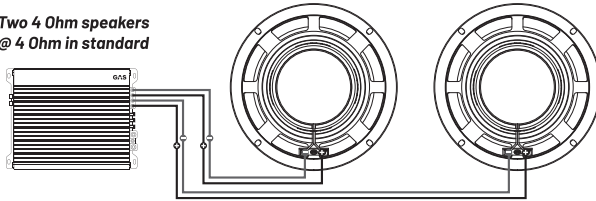
INSTALL SPEAKERS


Before installing your brand new speakers, make sure that you have everything you need. Have the right tools ready, and make sure that you have the necessary knowledge/skill to perform the installation properly. Preparation and knowledge is crucial!

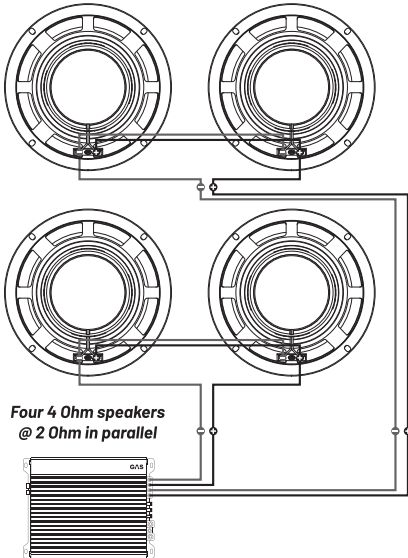
The MAD PX2-64 uses a single 4 Ohm voice coil. If you want to connect four or more PX2-64 series speakers, you can vary the impedance by altering the wiring configuration to use a series or parallel setup. The more the merrier!

Make sure to look through the recommended wiring schematics below and choose the setup that corresponds with the number of speakers in your sound system. Take note of the impedance stability of your amplifier. Don't be afraid to consult your local GAS AUDIO POWER dealer/installer if you have any questions.

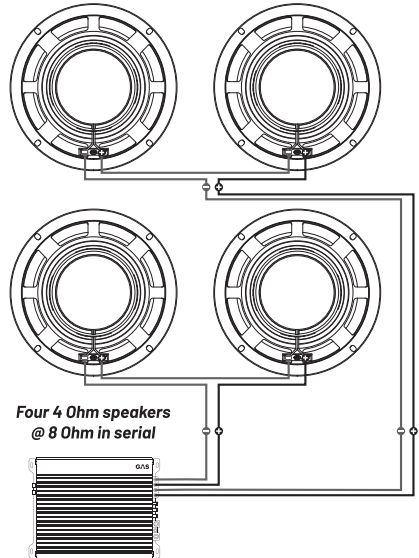
**Two 4 Ohm speakers
@ 4 Ohm in standard**



 It is important to know the limits of your amplifier. Be sure to connect your sound system with a suitable impedance to optimize your sound system.

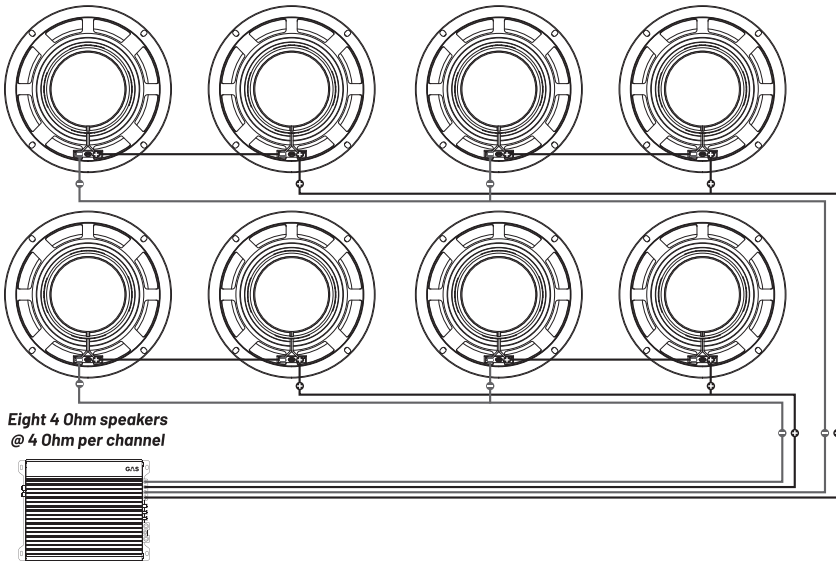
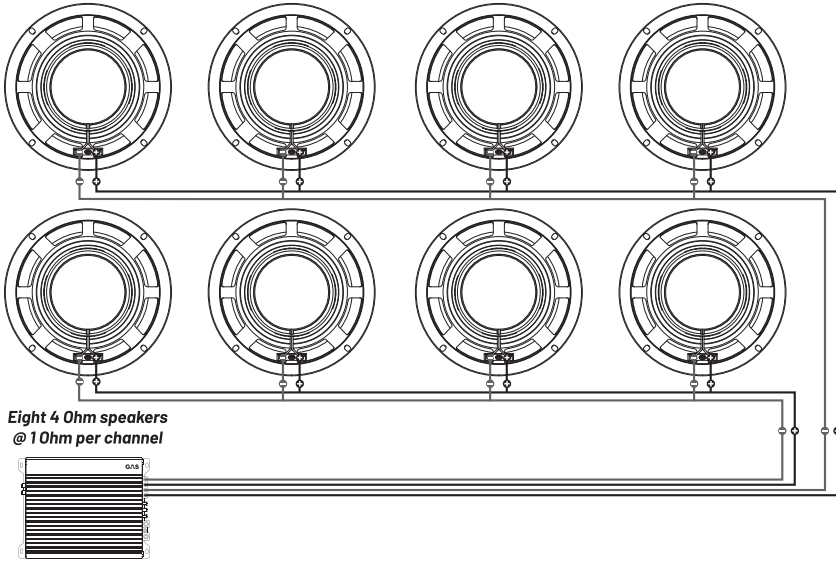


**Four 4 Ohm speakers
@ 2 Ohm in parallel**



**Four 4 Ohm speakers
@ 8 Ohm in serial**

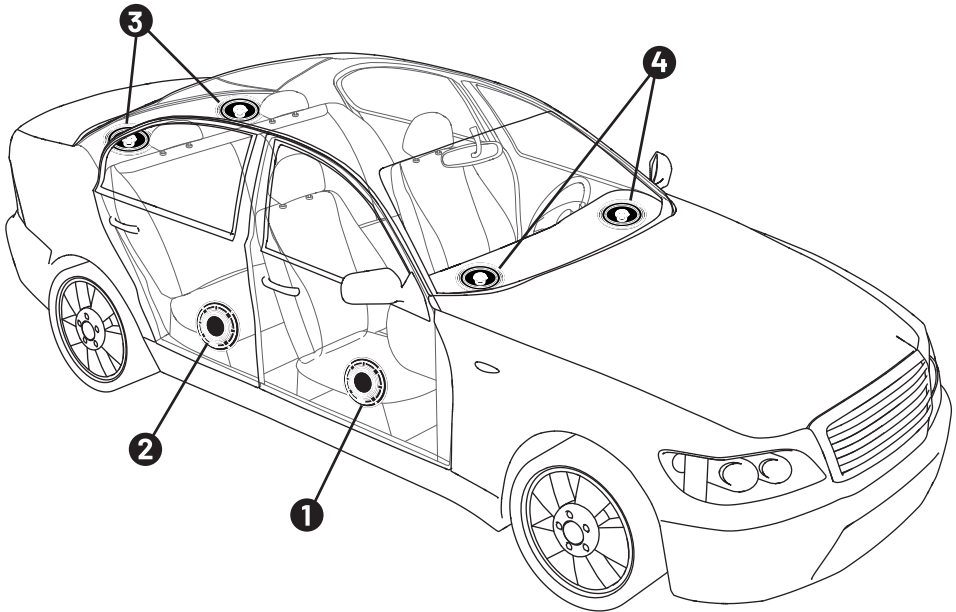
HOW TO



HOW TO

SPEAKER PLACEMENT

Wiring tutorial - check! Now you know how to connect cables and speakers correctly, but where do you place the speakers? You will most likely have one or two possible locations to put the speakers depending on make and model. This is where the fun begins!



1) FRONT DOORS

The front right and left doors are typical positions of speakers in older cars. In some models you'll find original speakers in the kickpanel - right in front of the doors in the footwell.

2) BACK DOORS

If your car's on the newer side of the spectrum, you might find OEM coaxial speakers here and component speakers in the front. Friends in the back seat need awesome sound too!

3) REAR SHELF

If you don't have speakers here, you're missing out! The rear shelf is a popular location by sound enthusiasts and some car manufacturers for speakers. If you don't have it - ADD it!

4) DASH

This speaker placement has been used in some older car models. In some sound systems, a coaxial speaker might be used as a midrange/tweeter, for which this placement is great.

TROUBLESHOOTING

NO POWER/SOUND

Check the speakers to make sure they're not damaged. If your speakers don't get any power, the most common issue is either in the wiring or in the amplifier. Use a multimeter to measure the amplifier's voltage on the +12V terminal and the remote signal terminal. Use a multimeter to make sure that you have a negative ground connection. Check the built-in fuse (if there's one) on the amplifier. If there's no power coming through - control the fuse on the power cable. If it's intact - make a full check of the wiring to ensure cable integrity.

Check all the speakers connected to your sound system. Check all the speaker cables and all the signal cables. Check your head unit to make sure no settings are limiting the amplifier's functions or the speakers. When all of the above has been tested/looked over, and all is as it should be but there's still no sound, consult your local GAS AUDIO POWER dealer/installer.

UNWANTED NOISE

Start by looking over the speakers in the sound system so there is no damage or connection issue with the wiring. Make sure that your signal cables or speaker cables aren't too close to the power cables. Check your amplifier's grounding point and make sure that the surface is clean. When all of the above has been tested/looked over, and the unwanted noise does not vanish, consult your local GAS AUDIO POWER dealer/installer.

DISTORTION

Start by looking over the speakers in the sound system so there's no damage or connection issue with the wiring. Check the speaker cables to make sure that the polarity isn't reversed on one channel. Check the settings on the amplifier, make sure that the gain/level is set according to the amplifier's instructions. If your amplifier has a boost function, lower its effect or turn it off.

WARRANTY & DISPOSAL

This product is covered by warranty, depending on the conditions in the country where it's sold. If the speaker is returned for service, please include the original dated receipt (or a copy) with the product. Make sure that the head unit is packaged properly and secured, preferably in its original packaging.



The crossed-out wheeie bin symbol means that the product, literature and packaging included must be taken to separate collection at the end of their working life. Don't dispose of these products as unsorted municipal waste: take them for recycling. For info on your nearest recycling point, check with your local waste authority.



This product has been granted with the CE certification mark to show that the product follows the health, safety, and environmental protection standards for products sold within the European Economic Area (EEA).



GAS Audio Power products comply with the relevant provisions of the RoHS Directive for the European Union. In common with all Electrical and Electronic Equipment (EEE) the product shouldn't be disposed of as household waste. Alternative arrangements may apply in other jurisdictions.



GAS Audio Power is a global partner of the European Mobile Media Association, an organization that focus on promoting the custom made mobile media installations to consumers.

THE GAS WORLD

You've entered the world of GAS. We aim to please, and we've made sure to have products made for you. No matter what stage of the LOUD-addiction you might find yourself in, there is a GAS product to fill your need.

MAD

Just starting out? The MAD series is made to play LOUD and to be the express lane to a no bullsh!t sound system that will make sure everyone can hear you coming!

MAX

The MAX series holds products made to deserve the center stage. Powerful, heavy duty and designed to be noticed. We made NO COMPROMISES because we know that you wouldn't accept it.

CMP

The CMP series has been developed for the crucial seconds when the dB-counter starts to tick. All CMP products have hand-picked, high quality, COMPETITION GRADE components and they are specially designed to withstand an awesome amount of power.



THANKS FOR JOINING GAS AUDIO POWER!



GAS
AUDIO POWER

GAS AUDIO POWER and SHAKY are registered trademarks by Winn Scandinavia AB and is protected by relevant laws and jurisdictions such as Copyright and Trademark laws.

Winn Scandinavia AB | Elementvägen 15, 70227 Örebro, Sweden | www.winnscandinavia.com

Winn Scandinavia AB reserves for possible typos, factual or numeric errors that may have been printed on any products, package designs, user manuals and/or other included accessories.

Winn Scandinavia AB can't guarantee flawless function/performance of our products together with third-party accessories and products like USB data carriers, MicroSD cards, cables, etc.



GAS
AUDIO POWER