

FEATURES

- Rigid sealed cast aluminum enclosure
- Plug and Play connection system, easy to hook up
- Aluminum speaker cone
- Built-in peak power 320Watts amplification
- Completely hidden installation and out of sight
- Remote control provided for volume control, low-pass control and phase switch.
- Automatic switch-on
- Designed to fit right into above 15-inches spare wheel.
- Provided screws for the Subwoofer fixing.

SPECIFICATIONS

- Maximum output power 320 W
- Rated power 200W
- Output impedance $2.2\Omega + 2.2\Omega$ (Dual speakers)
- Frequency Response 30~160Hz
- S/N(A) 91dB
- Maximum Current Consumption 10A
- Sensitivity (Distortion level 1%) RCA input 82mV
Speaker input 0.8V
- Source Voltage 14.4V (10V~16V)
- Dimensions (W 譚) 360mm?44.5mm
- Weight (including accessories) 7.3Kg

GAS

SPARE WHEEL ACTIVE SUBWOOFER

GS 580A

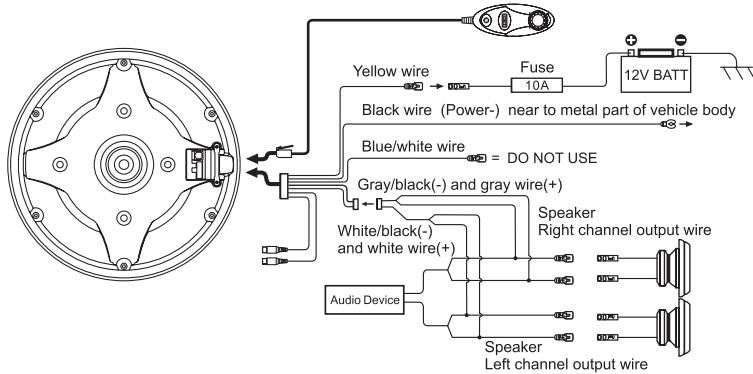
Instruction Manual



INSTALLATION PROCEDURE

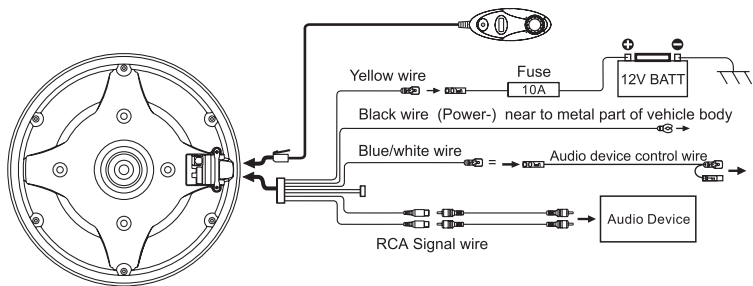
1. Use the supplied cable and wire harness and connect the outputs properly as shown in the High-Level OR Low-Level Inputs wiring diagram as following.
Use only one of the audio inputs, otherwise, it may lead to audio interference.

① Wiring Diagram 1(High-Level Input)



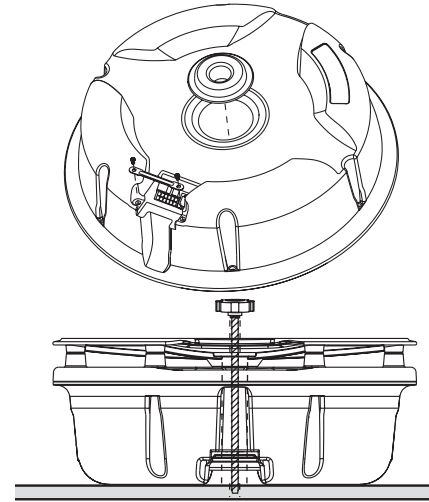
With control via the High-Level Inputs, first the speaker harness will need to be spliced the wire side of the splitter. Then connect the white wire to the left [+], white/black wire to the left [-] [it can be identified whether the left or right channel via the attached harness label], grey to the right [+], and grey/black to the right [-] corresponding vehicle wires, and finally plug the supplied harness into the High-Level Inputs/power matching connector on the amplifier panel of the subwoofer.

② Wiring Diagram 2(Low-Level 撚CA? Input)

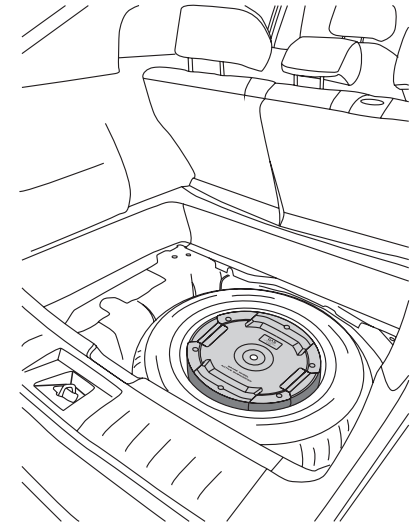


With control via the Low-Level Inputs [also referred to as RCA Inputs], connect the blue color remote wire from the DQC-582T to the vehicle's head unit so DQC-582T will be turn on and off with systems.

2. Securely mount the subwoofer to chassis with the provided bolt.

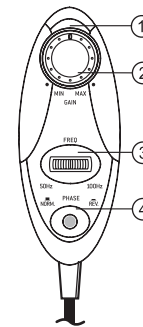


3. After the connection, place in the spare wheel active subwoofer to the spare location, make sure to press down the subwoofer firmly.









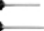
ADJUSTMENT

If there is distortion or a popping noise from the subwoofer, the input level is too high. If the subwoofer has prolonged use in this condition, this may result in deterioration of performance or may cause damage to the subwoofer.



- ① POWER INDICATOR
- ② GAIN ADJUSTMENT
- ③ LOW PASS FILTER ADJUSTMENT
- ④ PHASE SELECTOR

ACCESSORIES

- 12P connection couple (Power cable, remote on wire, speaker input wire, Ground wire) 
- 6M power extension coupler (12AWG) 
- Speaker output wire 
- Remote on wire 
- Remote controller 
- Mounting bracket 
- Fixed screw (lock vehicle) 
- Wire fixed tooling 