

# **GAS**

## *marine*

### **BTC62**

AMPLIFIED BLUETOOTH CONTROLLER WITH  
6.5" 2-WAY MARINE SPEAKER



# **USER'S MANUAL**

# BTC62

## AMPLIFIED BLUETOOTH CONTROLLER WITH 6.5" 2-WAY MARINE SPEAKER

Features:

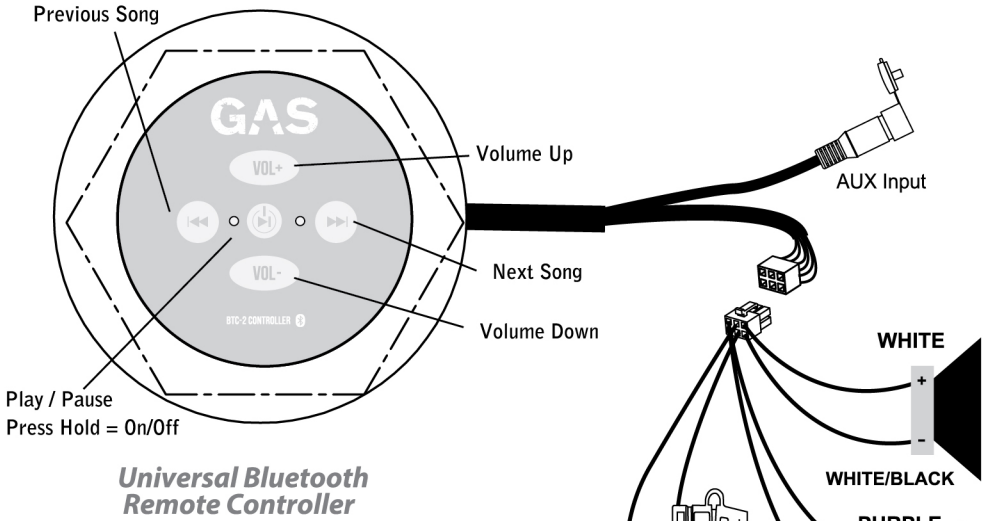
### 6.5" 2-WAY MARINE SPEAKER (MS 62)

- 6.5" Injection Molded Polypropylene Cone
- 1" High Temperature Aluminum Voice Coil
- Butyl Rubber Surround
- 20 Oz Magnet/40 Oz Magnet Structure
- 1/2" Polymer Dome Tweeter
- 4 Ohm Impedance
- 80W RMS Power Handling
- 160W MAX Power Handling
- Sensitivity: 90dB
- Frequency Response: 75Hz-20KHz

### AMPLIFIED BLUETOOTH CONTROLLER (BTC-2)

- Amplified Wireless Remote Controller with Bluetooth Audio Streaming
- 3.5mm AUX Input Jack
- Built in 2-Channel Amplifier 2x18W RMS
- Wireless Range: Up to 10m
- Simple Digital Touch Button Controls
- Sealed for Outdoor Applications Such as Atvs, Motorcycles, Marine and Watersport.
- Led Connection Indicator Lights
- Seamless Flush Mount

# Power and Speaker Wiring



## Wire Color

## Description

Red	Battery (+), 12dc
Black	Battery (-), Ground
White	Speaker cable left (+)
White/Black	Speaker cable left (-)
Purple	Speaker cable right (+)
Purple/Black	Speaker cable right (-)

## Playing Music:

1. Press to start or pause the music
2. Press for next track
3. Press for previous track
4. Press VOL+ for volume up
5. Press VOL- for volume down

## Bluetooth Pairing and Connection:

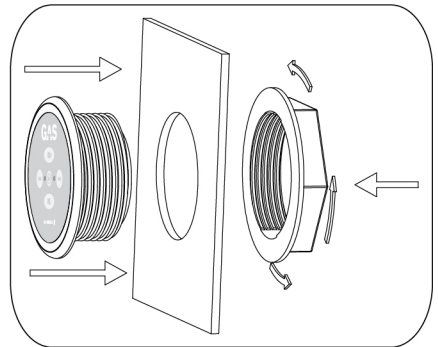
1. Connect Bluetooth controller box to your device
2. Press and Hold (▶) for three seconds until power indicator lights (red)
3. The system will automatically go into pairing mode. The power indicator will turn red for about 7 seconds and then alternating red and blue (Bluetooth blue Power red). Please be sure that Bluetooth is turned on your device. Select "BTC-2" on your device to connect Bluetooth controller(if the Bluetooth controller is connected the light will turn blue and not flash).
4. When the device is out of Bluetooth range, Bluetooth will be disconnected automatically and automatically reconnect when detected in range again.(If not please just repeat steps 1 and 2)
5. When Bluetooth is disconnected or the 3.5mm AUX Input is plugged in, the power indicator will glow red.

## Bluetooth Installation

### Seamless Flush Mount

1. Cut a hole in the panel.
2. Insert the Bluetooth controller into the hole.
3. Fix the mounting nut from the rear.

**Size:** 100mm (Out Diameter)  
78.8mm (Cutout Diameter)  
37.9mm (Depth)



**GAS**  
*marine*