



# **OWNERS MANUAL**

*Let's Play*

## **PP65.4**

Congratulations on purchasing this Bass Habit product! Please read this manual to learn how to get the best result from this product. Closely follow the advices, recommendations and safety precautions.

Thank you for choosing Bass Habit! We hope you enjoy listening to your product as much as we have enjoyed creating it.

## **SAFETY INSTRUCTIONS**

**Do not expose this product to damp or moisture** - doing so may result in fire, shock or damage to the product.

**Before wiring, disconnect the cable from the positive or negative battery terminal** - failure to do so may result in electric shock or injury..

**Ensure good and correct connections** - failure to make the correct connections may result in fire or damage to the product.

**Do not use any functions of this equipment that may take your concentration away from driving your vehicle** - do not set up the audio whilst driving. Doing so may result in an accident. For prolonged interaction with the product, make sure that your vehicle is stationary and parked in a safe location.

## **CAUTION**

Playing loud music in a vehicle can hinder your ability to hear traffic and can permanently damage your hearing. We recommend listening at low or moderate levels while driving. BASS HABIT accepts no liability for hearing loss, bodily injury or property damage resulting from the use/misuse of this product or installation.

To get the very best performance from your BASS HABIT amplifier we recommend that installation be entrusted to a qualified installer. Although these instructions explain how to install a BASS HABIT amplifier in general, they do not show specific installation methods that may be required for your particular vehicle. If you do not have the necessary tools or experience, do not attempt the installations yourself. If any uncertainty please ask your local Bass Habit dealer about a professional installation.

## **INSTALLATION**

Turn off the audio system and other electronic devices before you start. Disconnect the negative (-) lead from your vehicle's battery.

Choose a mounting location in an area where the amplifier will not be damaged, and where the amplifier is not covered up.

Mount the amplifier so that it remains dry - never mount an amplifier outside the vehicle or in the engine compartment.

Amplifier cooling is essential for proper amplifier operation. If the amplifier is to be installed in an enclosed space, make sure there is sufficient air circulation for the amplifier to cool itself.

When mounting the amplifier under a seat, ensure that it is clear of all moving parts and does not affect the seat functionality.

Check clearances on both sides of a planned mounting surface before drilling any holes or fixing any screws. Remember that the screws can extend behind the surface.

At the installation area, locate and take note of all fuel lines, hydraulic brake lines, vacuum lines and electrical wiring. Use extreme caution when cutting or drilling in and around these areas.

Before drilling or cutting any holes, use a utility knife to remove unwanted fabric or vinyl to keep material from snagging in a drill bit.

When routing cables, keep input-signal cables away from power cables and speaker wires.

When making connections, make certain all cables are secure and properly insulated.

Make sure that the amplifier is mounted securely using nuts and bolts or the supplied mounting screws.

## **POWER CONNECTIONS (FIG 1)**

To get the very best performance out of your Bass Habit amplifier, carefully follow the instructions below:

### **Power Connection (+12V):**

Connect the 12V power supply cable after all other leads have been connected and secured.

Make sure the power supply cable is secured with a fuse 20-30cm from the positive 12V battery terminal.

Power cable minimum size (100% Oxygen Free Copper cable):  
PP65.4 min. 8 awg/ 10mm<sup>2</sup>

### **Ground Connection (GND):**

Connect the amplifier Ground (GND) terminal to a solid point on the vehicles metal chassis, as close to the amplifier as possible.

Scrape away any paint from this location; use a star-type lock washer to secure the connection.

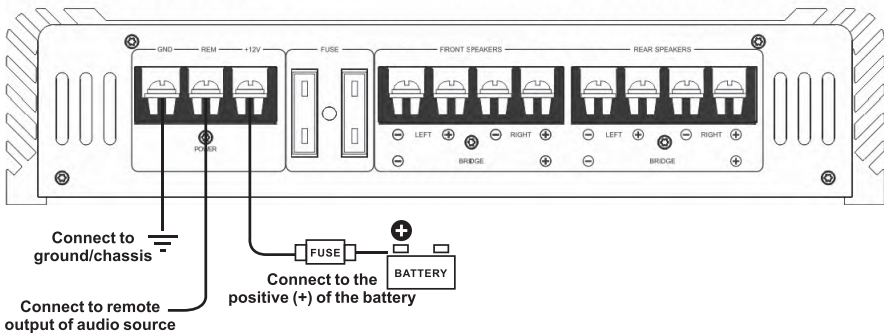
Ground cable minimum size (100% Oxygen Free Copper cable):  
PP65.4 min. 8 awg/ 10mm<sup>2</sup>

### **Remote Connection (REM):**

Connect the amplifier Remote (REM) terminal to the source unit remote turn on lead using a minimum of 0.75mm<sup>2</sup>/18-gauge wire.

If your source unit does not have a remote signal output, connect the amplifier (REM) terminal through a power switch button which can provide a +12V signal.

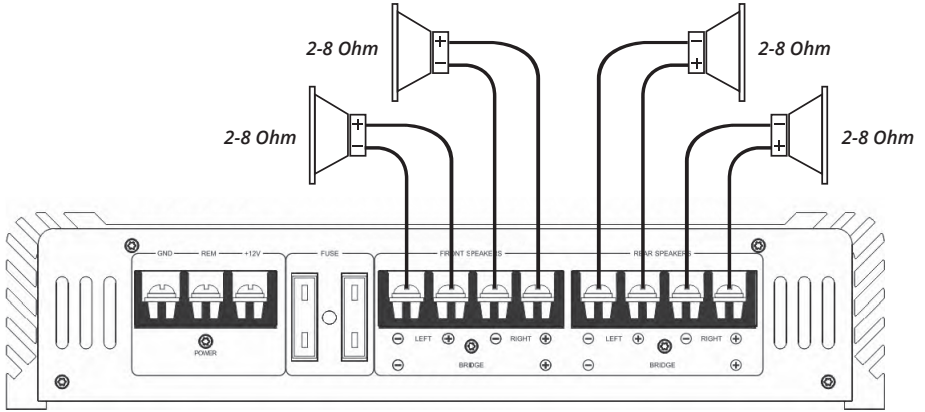
## **FIG 1: POWER CONNECTION**



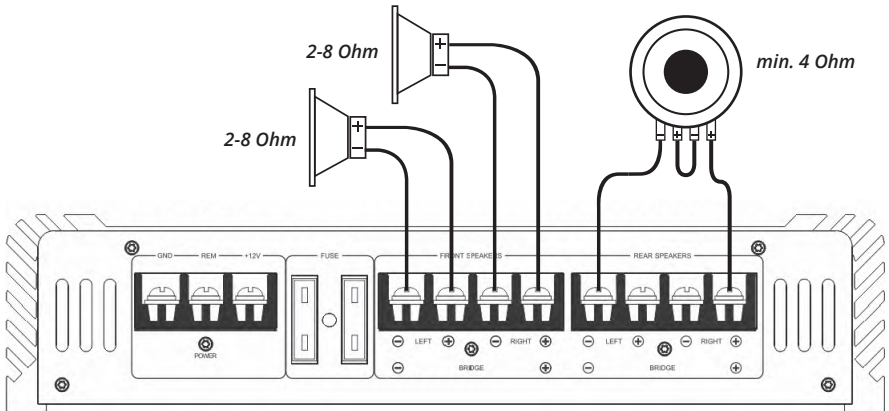
### **SPEAKER CONNECTIONS (FIG 2, FIG 3, FIG 4)**

Speaker connections should be made using a minimum of 1,25 mm<sup>2</sup>/16-gauge wire.

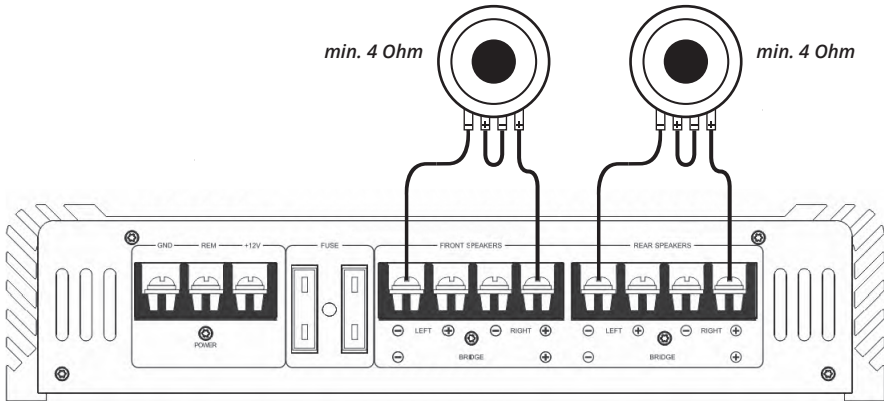
#### **FIG 2: 4-CHANNEL STEREO SPEAKER SYSTEM**



#### **FIG 3: 3-CHANNEL STEREO + BRIDGED**



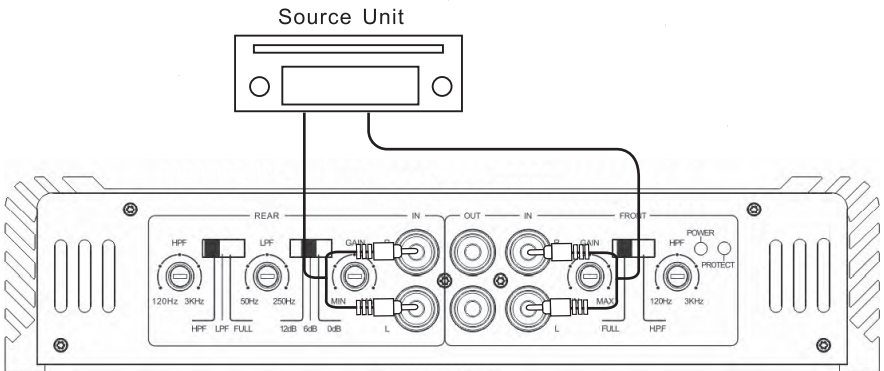
**FIG 4: 2-CHANNEL MONO BRIDGED**



**SIGNAL CABLE CONNECTIONS (FIG 5)**

Use high quality RCA jack cables to make sure you get the full audio experience.

**FIG 5: SIGNAL CABLE CONNECTIONS**



## **SETTINGS**

Bass Habit PP65.4 is a Class A/B amplifier and can be used for all type of speakers in the range between 20Hz-20kHz.

While listening to music, adjust the gain/crossovers/bass boost for the least perceived distortion from the speakers.

### **Line Inputs (LINE IN)**

Connect the line outputs from your source unit to the line inputs L and R on the amplifier using an RCA signal cable.

### **CROSSOVERS:**

The Bass Habit Play amplifier is a full range class A/B amplifier. It can be used for all type off speakers, both high frequency speakers and subwoofers. Set the crossovers according to your system setup.

- HPF: No frequencies below the chosen frequency cut point are allowed to pass through to a speaker.
- LPF: No frequencies above the chosen frequency cut point are allowed to pass through to a speaker.
- FULL: No built-in filters are in use.

### **BASS BOOST 12/6/0dB:**

Use caution when adjusting the Bass Boost. Incorrect usage may damage your speakers. The bass Boost function will increase the output up to 12dB at 45Hz.

### **Input level control (GAIN):**

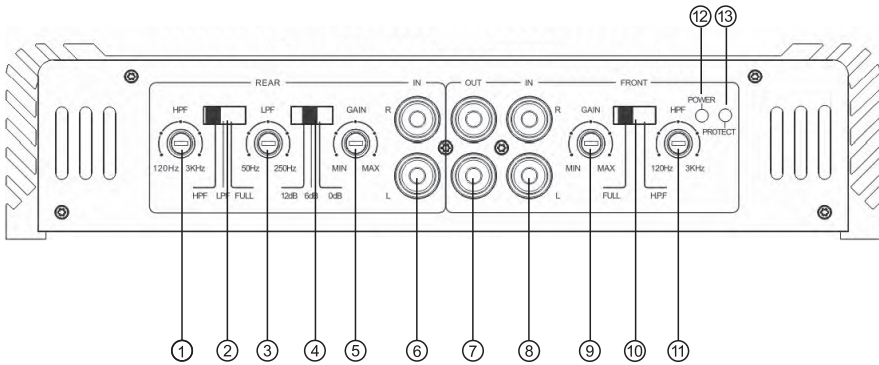
GAIN control adjusts the input level between 0,2V- 6 V.

Tips for adjusting the GAIN control correctly:

- Initially turn the GAIN control to minimum (counter clockwise) and turn of all EQ settings and filter on the source unit and the amplifier..
- On the source unit, set the volume control to 3/4 of maximum volume.
- Slowly increase the GAIN control until you hear slight distortion in the speaker/speakers, then reduce the GAIN slightly until distortion is no longer heard.

**CAUTION!** *The GAIN level is not a volume control. Excessive use or misuse can permanently damage your speakers. Contact your local Bass Habit dealer if you need help to set your gain level.*

**FIG 6: FUNCTIONS**



1	HPF	High Pass Filter 120Hz-3kHz (12dB/Oct)
2	HPF/LPF/FULL	Filter mode setting
3	LPF	Low Pass Filter 50Hz-250Hz (12dB/Oct)
4	BASS LEVEL	12dB/6dB/0dB at 45Hz
5	Gain	Gain control rear, input signal adjustment 0.2V-6V
6	IN	RCA Rear input
7	OUT	RCA Output
8	IN	RCA Front input
9	GAIN	Gain control front, input signal adjustment 0.2V-6V
10	FULL/HPF	Filter mode setting
11	HPF	High pass filter 120Hz-3kHz (12dB/Oct)
12	POWER	Power indicator (Green)
13	PROTECT	Protect indicator (Red)



**SPECIFICATIONS**

<b>Model No.</b>	PP65.4
<b>RMS @2 Ohm</b>	4x110W
<b>RMS @4 Ohm</b>	4x65W
<b>RMS bridged @4 Ohm</b>	2x180W
<b>Low pass filter</b>	50Hz-250Hz
<b>High pass filter</b>	120Hz-3kHz
<b>Bass Boost</b>	12/6/0dB (45Hz)
<b>Frequency response</b>	20Hz-20kHz
<b>S/N</b>	>85dB
<b>Input sensitivity</b>	0.2V-6V
<b>THD</b>	<0.05%
<b>Operation Voltage</b>	9-16V
<b>Fuse rating</b>	25A x 2

(All specifications are with 14.4V DC)

**TROUBLESHOOTING:**

Symptom	Check / Control
No audio. (Power LED not active)	Measure voltage at +12V and REM terminals. Check GND connections.
Distorted audio	Check GAIN control, so it is properly set. Check source unit or amplifier, if defective it can cause distortion.
Music lacks bass and attack	Check speaker connections for proper polarity.

## **WARRANTY**

All Bass Habit products carry a full warranty depending on the conditions in the country where it is sold. The Warranty is valid from the date of the original receipt as proof of purchase.

### **The warranty does NOT cover:**

- Damage to product due to improper installation.
- Subsequent damage to other components
- Damage caused by exposure to moisture, excessive heat, chemical cleaners and/or UV radiation.
- Damage through negligence, misuse, accident or abuse. Repeated returns for the same fault may be considered abuse.
- Any cost or expense related to the removal and/or abuse. Repeated returns for the same fault may be considered abuse.
- Damage caused by amplifier clipping or distortion.
- Items repaired or modified by any unauthorised repair facility
- Return shipping on non-defective items.
- Products returned without a return authorisation number.
- Damage to product due to use of sealant.

## **INTERNATIONAL WARRANTY**

Contact your Bass Habit dealer or distributor concerning specific procedure for your country's warranty policies.

## **RECYCLING**



This product, literature and the packaging included must be taken to separate collection at the end of their working life. Do not dispose of these products as unsorted municipal waste: take them for recycling. For info on your nearest recycling point, check with your local waste authority

Winn Scandinavia AB  
Elementvägen 15, 702 27 Örebro  
Sweden  
[www.winnscandinavia.com](http://www.winnscandinavia.com)

Winn Scandinavia AB reserves for possible typos, factual or numeric errors that may have been printed on any products, package designs, user manuals and/or other included accessories.



**MEET  
THE NEW  
STANDARD**