



FEATURES

- AGM (Absorbed Glass Mat) Technology
- Maintenance Free Design
- Non-Spillable, Leak Proof Construction
- Heavy Duty Pure Lead Grid Design
- Rugged ABS Reinforced Plastic Housing
- Shock and Vibration Resistant Construction
- Very Low Resistance for Ultra Fast Recovery
- M6 to 3/8" Hardened Steel Connectors

APPLICATIONS

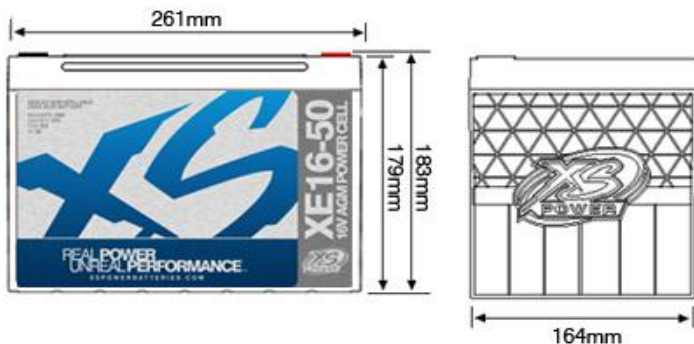
- Primary or Secondary Audio Power Source
- Marine/RV Starting or Supplemental Power
- Good for up to 1,500-3,000W Audio Power
- High Power Competition Performance

PHYSICAL SPECIFICATIONS

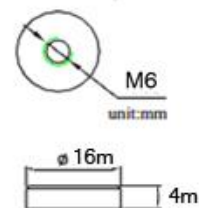
Approximate Weight	21.29kg
Approximate Dimensions	
Length	261mm
Width	164mm
Height	179mm
Total Height	183mm
Housing Material	Shock Resistant ABS
Terminal Type	M6 Stud Adaptor

PERFORMANCE SPECIFICATION

Nominal Voltage	16V
Nominal Capacity (20hr)	50Ah to 14V
Max Amps @ 77°F (25°C)	2,400A
HCA @ 77°F (25°C)	825A
MCA / CA @ 32°F (0°C)	675A
CCA @ 0°F (-18°C)	575A
Reserve Capacity (25A)	75 minutes to 14V



TERMINAL TYPE : M6



TEMPERATURE SPECIFICATIONS

Nominal Operating Temp.	77°F (25°C)
Charge Temp. Range	14°F - 140°F (-10°C - 60°C)
Discharge Temp. Range	-4°F - 140°F (-20°C - 60°C)

Proper Charging is crucial to the life of your XS Power battery. It is very important that the temperature of the battery remains cool with respect to the charge voltage. The chart below will help ensure proper charge voltage with different ranges of ambient temperature.

CHARGE VOLTAGE REFERENCE CHART

Temperature	32°F (0°C)	50°F (10°C)	68°F (20°C)	77°F (25°C)	86°F (30°C)	104°F (40°C)
Charge Voltage	15.20	15.00	14.80	14.70	14.50	14.30
Float Voltage	14.25	14.00	13.75	13.65	13.50	13.25