

# DS18<sup>®</sup>

PRO

## PRO-D2

### 3" VC

TITANIUM  
COMPRESSION DRIVER

800W  
Peak Power

400W  
Program Power

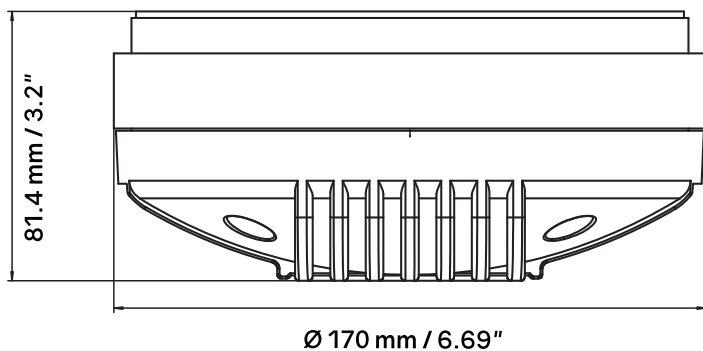
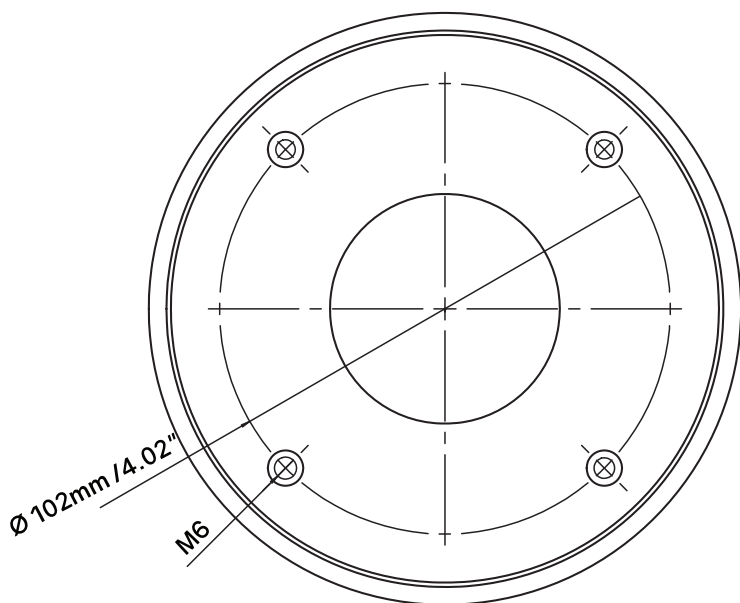
8 OHMS



OWNER'S  
MANUAL

# PRO-D2

TITANIUM COMPRESSION DRIVER



# Data Sheet

## Specifications

Peak Power Handling .....	800 Watts
Program Power Handling .....	400 Watts
AES Rated Power .....	200 Watts
Sensitivity (1w/1m) .....	109dB
Frequency Response .....	500Hz-18.5KHz
Nominal Impedance .....	8 ohms
Throat Diameter .....	2"
Recommended Hi Pass Crossover .....	800 Hz
Voice Coil Diameter .....	3"
Diaphragm Material .....	Titanium
Magnet Material .....	Ferrite
Magnet Weight .....	65 oz
Bolt Type .....	Bolt-on

## Measurements

Overall Diameter .....	6.69"/ 170 mm
Overall Depth .....	3.2"/ 81.4 mm

## Shipping Info

Gross Single Unit Weight .....	2.75kg
Single Unit Box Dimensions W x L x H .....	145 x 140 x 75mm
Quantity of Units in Master Carton.....	6PCS/ctn
Gross Master Carton Weight .....	15.50KG
Master Carton Dimensions W x L x H .....	450 x 320 x 900mm

3" VOICE COIL TITANIUM  
COMPRESSION DRIVER

PRO-D2

#WeLikeItLoud



# D518<sup>®</sup>

## PRO

### PRO-1D2

TITANIUM COMPRESSION DRIVER

- Peak Power Handling: 800 Watts
- Program Power Handling: 400 Watts
- AES Rated Power: 200 Watts
- Sensitivity (1w/1m): 109dB
- Frequency Response: 500Hz-18.5KHz
- Nominal Impedance: 8 ohm
- Throat Diameter: 2"
- Recommended Hi Pass Crossover: 800Hz
- Voice Coil Diameter: 3"
- Diaphragm Material: Titanium
- Magnet Material: Ferrite
- Magnet Weight: 65 oz
- Bolt Type: Bolt-on

