

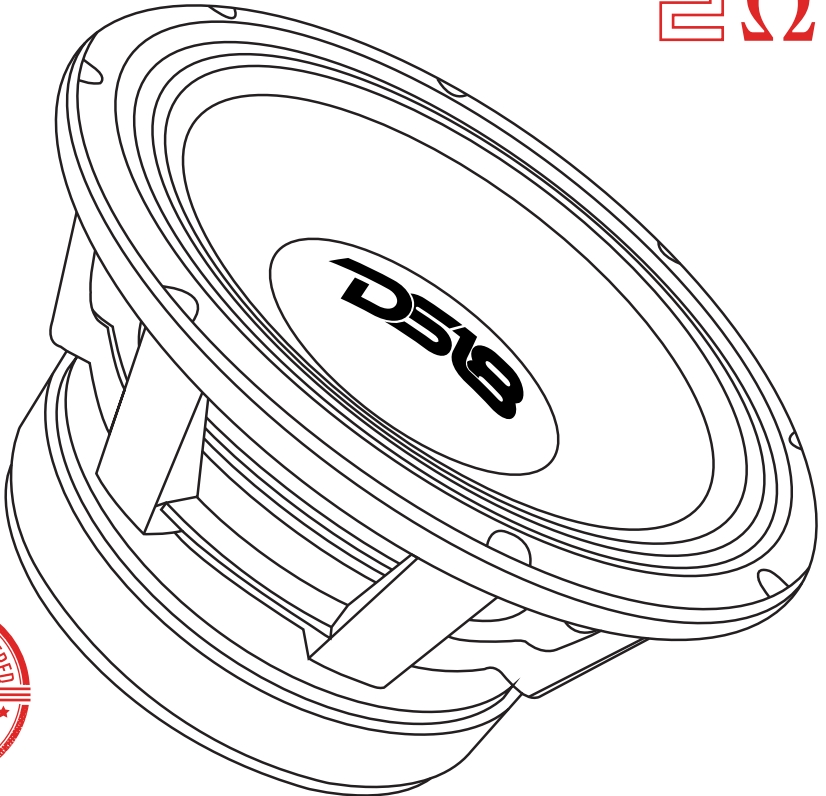
**DS18**<sup>®</sup>  
**PRO**

**OWNER'S MANUAL**  
*MANUAL DEL USUARIO*

**PRO-1.5KP12.2**  
12" COMPETITION MID-BASS /  
WOOFER LOUDSPEAKER

*ALTAVOZ TIPO WOOFER / MEDIO BAJO  
DE COMPETICION DE 12"*

**2Ω**



### SPECIFICATIONS / ESPECIFICACIONES:

Nominal Diameter / Diámetro Nominal.....	12"
Nominal Impedance / Impedancia Nominal.....	2 OHMS
RMS Power Handling / Manejo de Potencia RMS.....	1500W
MAX Power Handling / Manejo de Potencia MAX.....	3000W
Sensitivity (1w/1m) / Sensibilidad (1w/1m).....	96.5 dB
Frequency Response / Respuesta de Frecuencia.....	60Hz-8KHz
Recommended Hi Pass Crossover / Crossover Paso alto Recomendado.....	70Hz
Pair or Single / Par o Unidad.....	Single / Unidad

### MOTOR / MOTOR:

Voice Coil Diameter / Diámetro de la Bobina de Voz.....	4"
Voice Coil Former Material / Material Interior de Bobina Móvil.....	Fiber Glass / Fibra de Vidrio
Winding Material / Material de Bobinado.....	CCAW
Cone Material / Material del Cono.....	Paper / Papel
Dust Cap Material / Material de la Tapa anti-polvo.....	Paper / Papel
Surround Material / Material de la Suspension.....	Cloth / Tela
Basket Material / Material de la Canasta.....	Aluminum / Aluminio
Basket Color   Finish / Color Acabado de Canasta.....	Black / Negro
Magnet Material / Material del Imán.....	Ferrite / Ferrita
Magnet Weight / Peso del Imán.....	150 Oz

### THIELE & SMALL PARAMETERS / PARÁMETROS T/S:

Equivalent Volume / Volumen Equivalente.....	Vas	22.775 L
Free Air Resonance / Resonancia al Aire Libre.....	Fs	72.4 Hz
Mechanical Factor / Factor Mecánico.....	Qms	9.451
Electrical Factor / Factor Eléctrico.....	Qes	0.301
Total Factor / Factor Total.....	Qts	0.291
Mechanical Mass / Factor Mecánico.....	Mms	51.09g
Mechanical Compliance / Cumplimiento Mecánico.....	Cms	70.323 mm/N
BL Factor / Factor BL.....	BL	15.144
Voice Coil Inductance / Inductancia de Bobina de Voz.....	Le	1.566 mH
Cone Area / Area del cono.....	Sd	560 cm <sup>2</sup>
DC Resistance / Resistencia DC.....	Re	1.6 ohm
Efficiency Bandwitch Product / Eficiencia del Ancho de Banda del Producto.....	Ebp	240

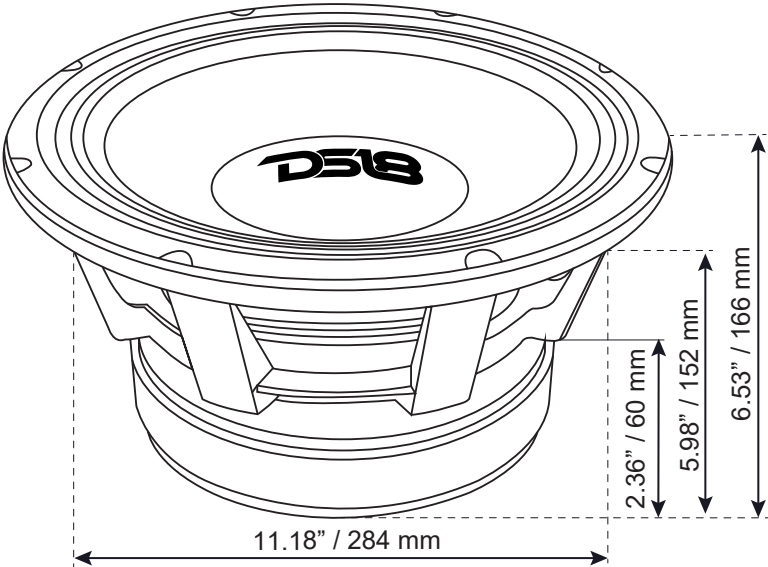
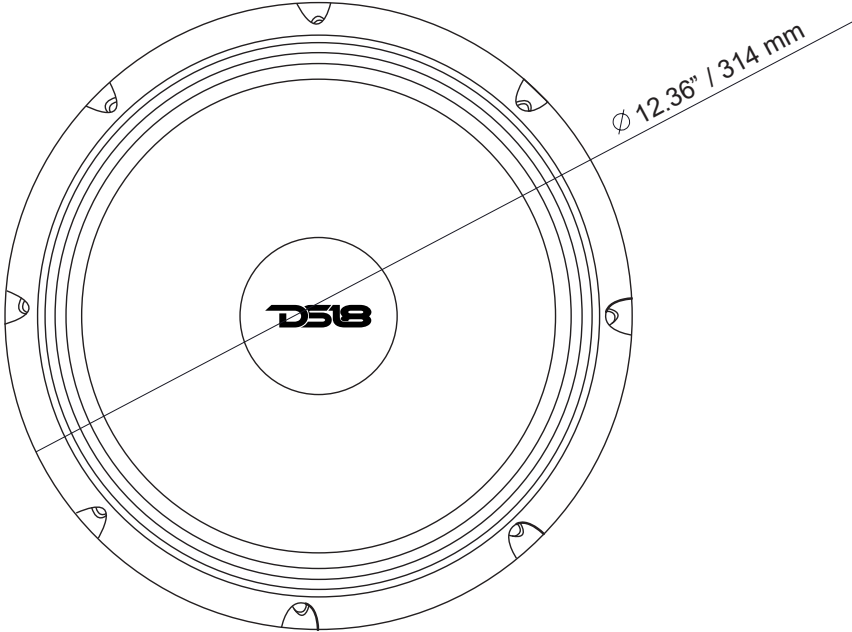
### MEASUREMENTS / MEDIDAS:

Overall Diameter / Diámetro Total.....	12.36" / 314 mm
Overall Depth / Profundidad Total.....	6.53" / 166 mm
Front Mount Baffle Cutout / Corte del Orificio de Montaje.....	11.18" / 284 mm
Mounting Depth / Profundidad de Montaje.....	5.98" / 152 mm
Motor Diameter / Diámetro del Motor.....	8.66" / 220 mm

PRO-1.5K12.2

# PRO-1.5KP12.2

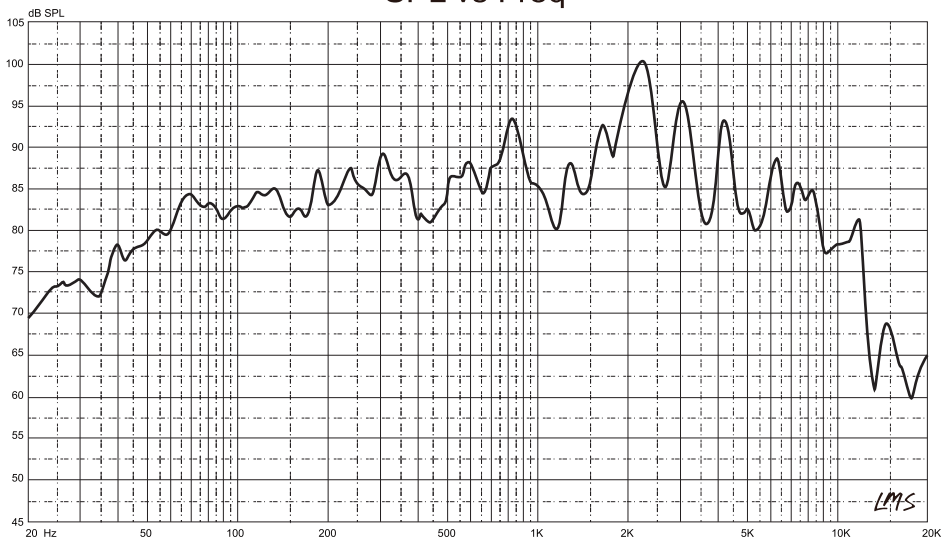
# PANCADÃO®



# PRO-1.5KP12.2

# PANCADÃO®

SPL vs Freq

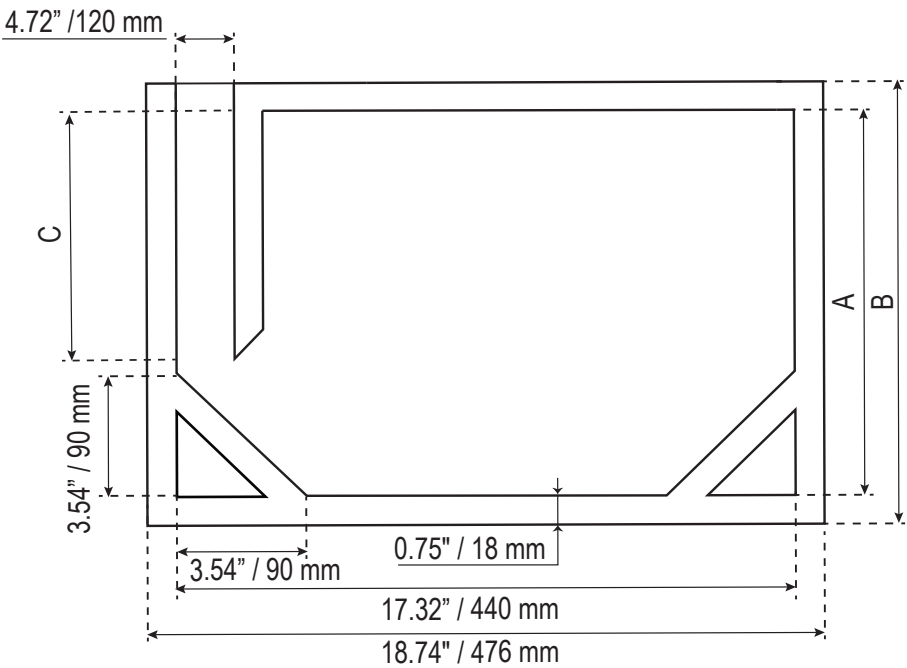
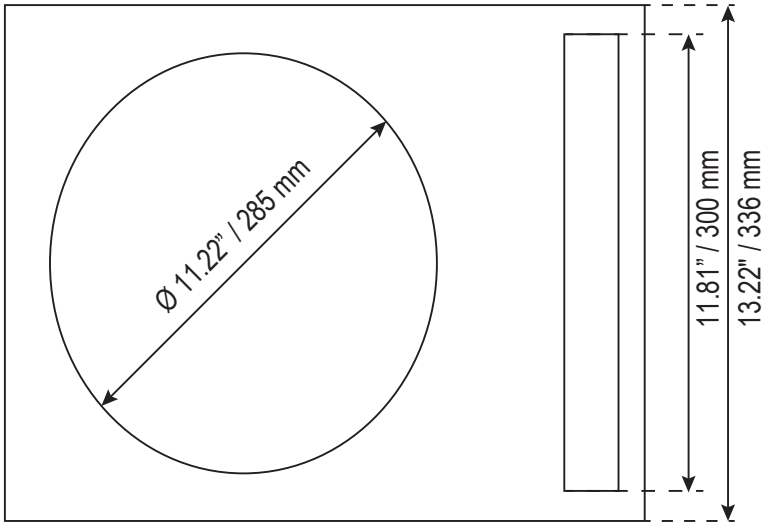


## RECOMMENDED BOX:

Model (Boxes)	Internal Volume Liters (L)	Box Dimensions (inches / millimeters)		Port Dimensions	Fb (Hz)	HPF (Hz)
		A	B	C	Box Tuning	
PRO-1.5KP12.2 <i>Box I</i>	34	10.23" / 260 mm	11.65" / 296 mm	0.78" / 20 mm	150	105
PRO-1.5KP12.2 <i>Box II</i>	38	11.41" / 290 mm	12.83" / 326 mm	4.33" / 110 mm	125	95
PRO-1.5KP12.2 <i>Box III</i>	42	12.59" / 320 mm	14" / 356 mm	4.78" / 190 mm	110	85
PRO-1.5KP12.2 <i>Box IV</i>	42	13.77" / 350 mm	15.19" / 386 mm	7.8" / 200 mm	100	80
PRO-1.5KP12.2 <i>Box V</i>	51	15.34" / 390 mm	16.77" / 426 mm	9.05" / 230 mm	90	75
PRO-1.5KP12.2 <i>Box VI</i>	58	17.32" / 440 mm	18.74" / 476 mm	11.02" / 280 mm	80	70

Wood: 3/4" / 18 mm

# RECOMMENDED BOX DIMENSIONS:





FOR MORE INFORMATION  
PLEASE VISIT  
[DS18.COM](http://DS18.COM)

*WE LIKE IT LOUD*

The DS18 logo, featuring the letters "DS18" in a bold, stylized, italicized font. The "D" and "S" are connected, and the "18" is separate. A registered trademark symbol (®) is located to the right of the "8".

**DS18®**