

DS18[®]

HYDRO

MXRC | MARINE & POWERSPORT
REMOTE CONTROL



DS18[®]

HYDRO

MXRC

MARINE & POWERSPORT
REMOTE CONTROL



DS18.COM



▲▲ FOR ALL
ELEMENTS

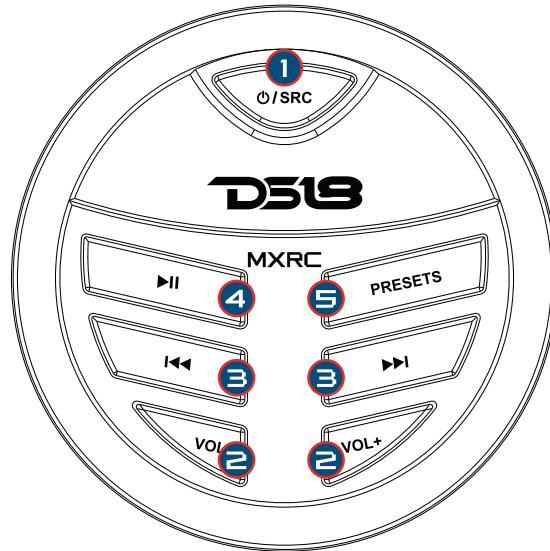


OWNER'S MANUAL



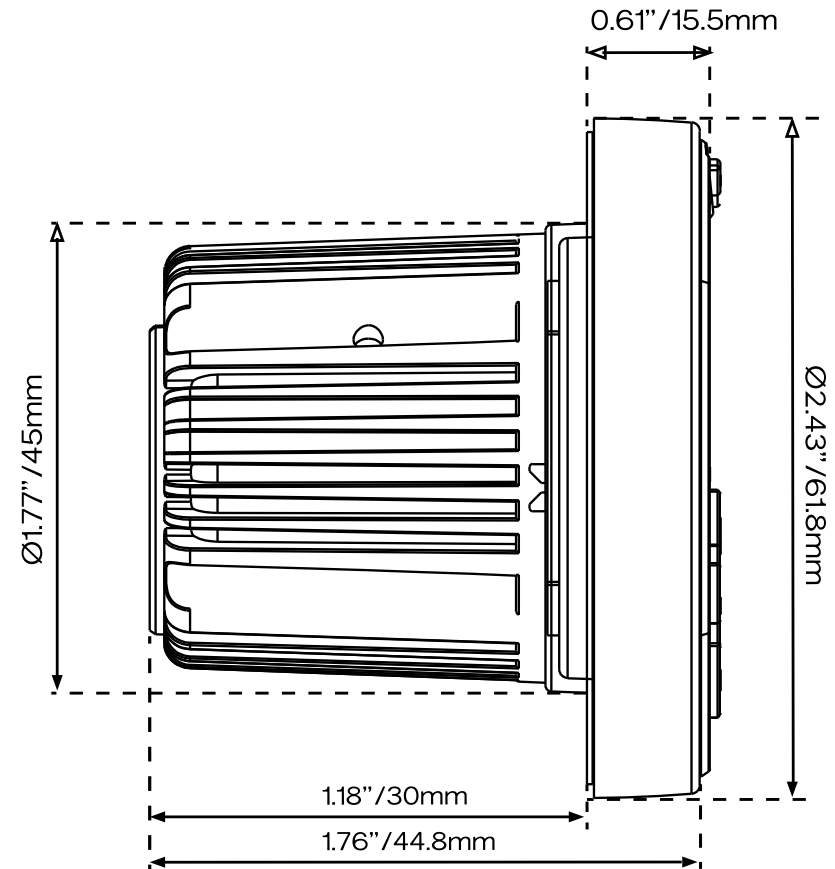
MXRC

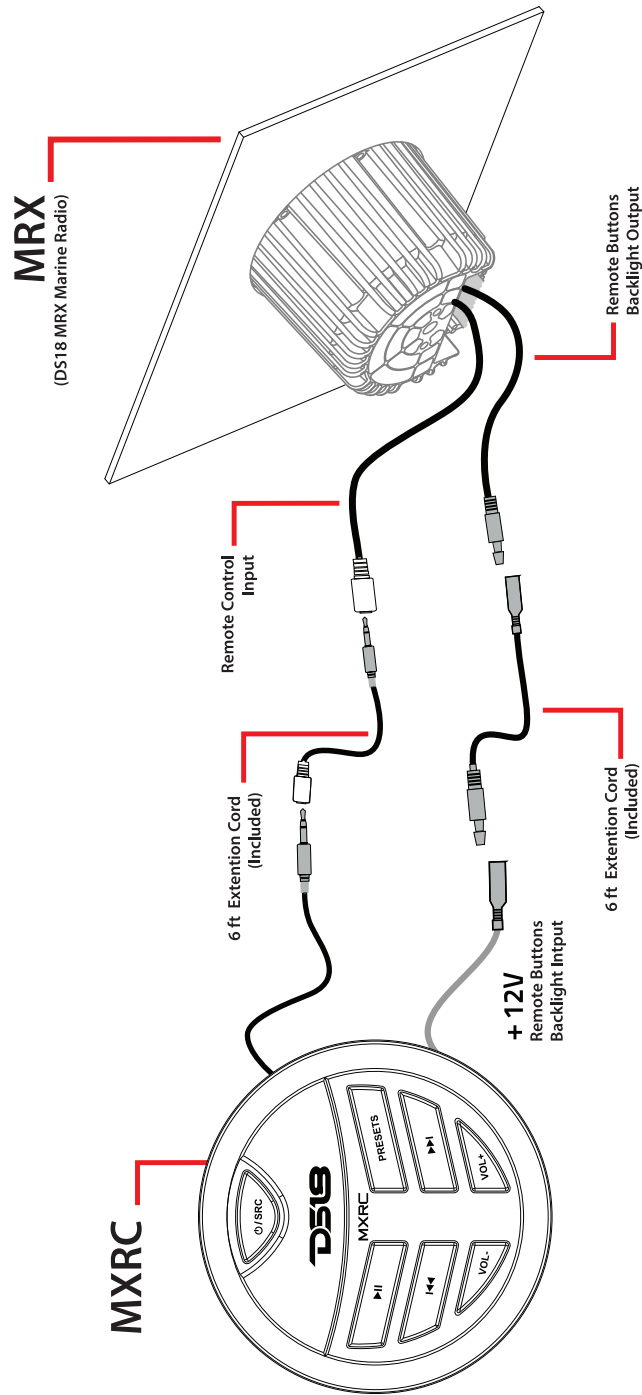
MARINE & POWERSPORT REMOTE CONTROL



- 1 SRC Button:**
 - Source Select (Short Press)
 - Power ON (Short Press)
 - Power OFF (Long Press)
- 2 VOL +/- Button:**
 - Adjuste volume level
- 3 I<</>I>>I Button:**
 - AM/FM MODE: Seek Up/Down (Short Press)
 - AM/FM MODE: Manual Tune Up/Down (Press and Hold)
 - USB/BT MODE: Previous/Next TRACK (Short Press)
 - USB/BT MODE: Fast Forward/Rewind (Press and Hold)
- 4 Play/Pause Button:**
 - USB/BT MODE: PLAY or PAUSE playback (short press)
 - AUX/AM/FM MODE: MUTE ON/OFF
- 5 PRESETS Button:**
 - USB/BT MODE:
 - Press and Hold, then pres VOL +/- to select RPT ALL/RPT ONE/RPT FOLD
 - Press and Hold, shortly press again, then press VOL +/- to Select RDM ON/OFF
 - Shortly press to Folder/File Search, then press VOL +/- to choose and press Play/Pause to select.
 - AM/FM MODE:
 - Shortly press to recall presets then press VOL +/- to Select P1-P6
 - Press and Hold to store current station, then press VOL +/- to select P1-P6, then press Play/Pause to save

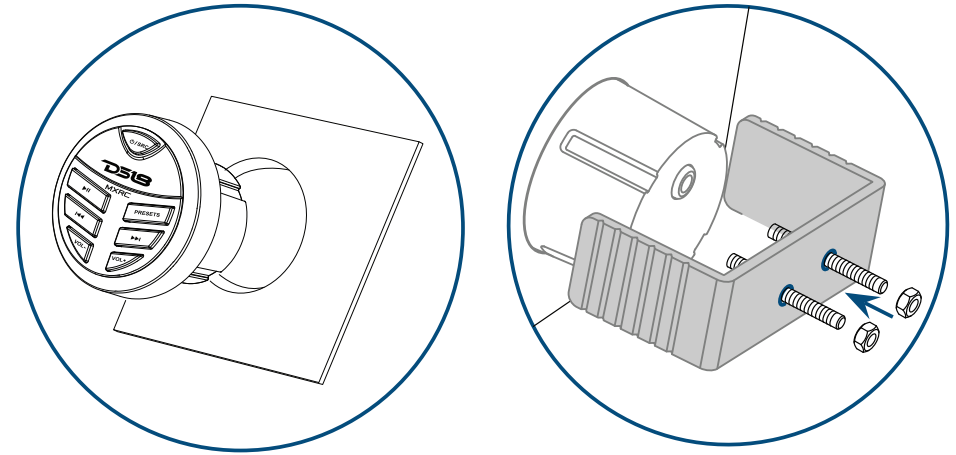
- Mounting Hole Diameter:..... 1.77" / 45mm
- Mounting Depth: 1.18" / 30mm
- Overall Diameter: 2.43" / 61.8mm
- Overall Depth: 1.76" / 44.8mm





▲▲ FOR ALL ELEMENTS

Once a suitable location has been determined, drill the hole and secure your MXRC using the metal mounting bracket. If the bracket needs to be shortened, remove the appropriate number of breakaway segments using a pair of pliers



1. The MXRC should be installed by a professional technician.
2. Please read the instructions and operation of equipment carefully before installing.
3. Make sure to connect first the other wires before power connection.
4. To avoid short circuit; Please make sure all the exposed wire are insulated.
5. Please secure all the wires after installation.
6. Please make connection to the headunit accordingly to this instruction manual. Wrong connection may cause severe damage.
7. This player is only for 12V DC electric systems and please make sure your boat belongs to this kind of cathode grounding electrical system.
8. Please connect the wires rightly. Wrong connection will cause malfunction or damage the electrical system.