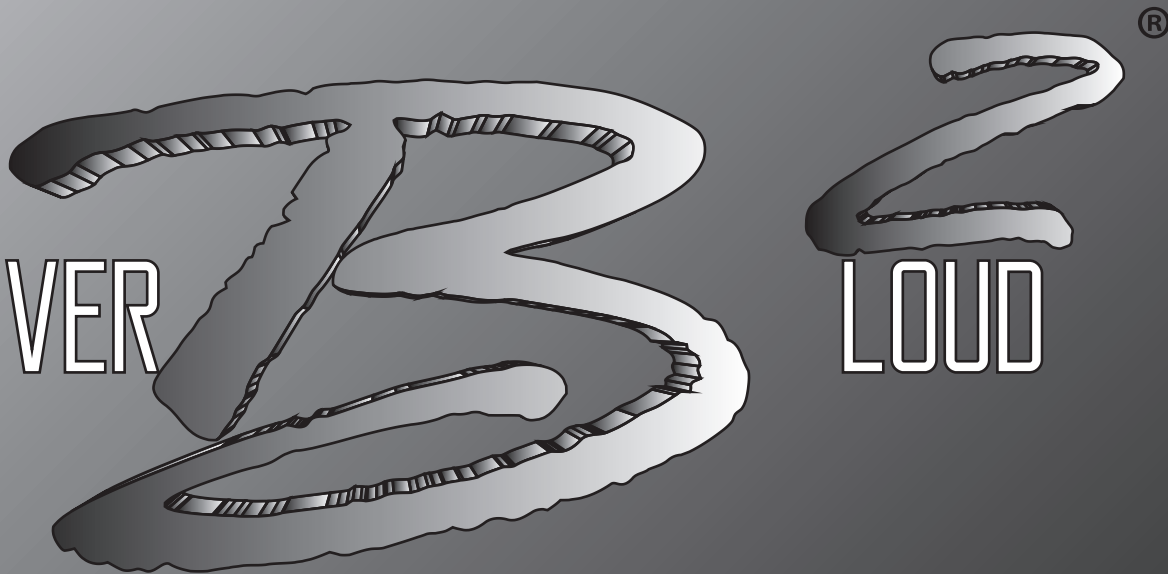


IT CAN NEVER



LOUD

RAMPAGE 8 USER MANUAL

PRODUCT ID:

RAMPAGE80123

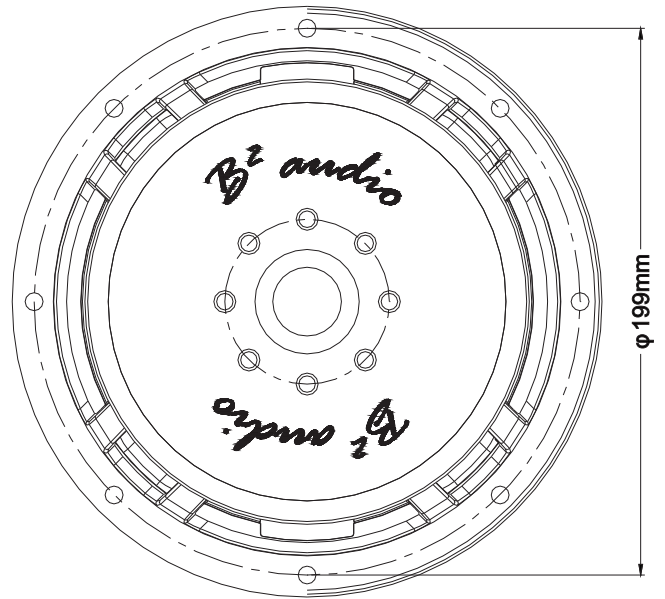
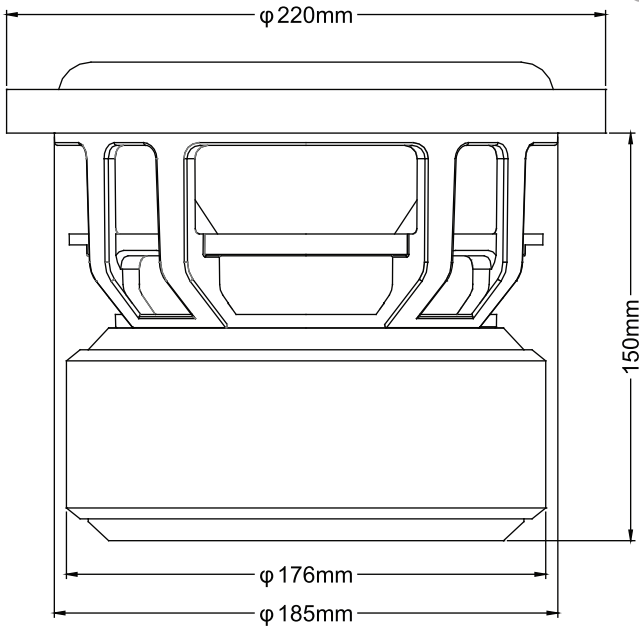
RAMPAGE80223

WWW.B2AUDIO.COM - WWW.FACEBOOK.COM/B2AUDIO - [@B2AUDIOGRAM](https://www.instagram.com/B2AUDIOGRAM)





MODEL: RAMPAGE 8 D1/D2



MODEL:	RAMPAGE 8 D1	RAMPAGE 8 D2
Sensitivity:	83.8 dB	87.2 dB
Nominal Impedance:	Dual 1 Ω	Dual 2 Ω
DC Resistance (DC):	1 Ω	1.9 Ω
Voice Coil Dim:	2"	2"
Power Handling*:	1000 Watts	1000 Watts
Peak Dynamic Power:	2000 Watts	2000 Watts
XMAX one way (mm):	20	20
VAS:	5.4 L	5.2 L
FS:	39 Hz	37.5 Hz
QES:	0.55	0.5
QMS:	5.67	6.16
QTS:	0.5	0.46
CMS:	100 um/N	90 um/N
MMS:	135.1 g	164.6
BL²/RE:	72	84.6
Magnet assembly:	300 Oz	300 Oz
Displacement:	3.3 L / .115 cu.ft	3.3 L / .115 cu.ft

ENCLOSURE SUGGESTIONS				
TYPE	SEALED	PORTED COMPACT	PORTED	BP 4TH
RAMPAGE 8 D1	8.5 L / .3 cu.ft Qtc 0.51	15 L / 0.53 cu.ft P: 2" L: 7.16" / 18.2 cm FB: 42 Hz	28 L / 0.989 cu.ft P.A. 7.75 sq.in L: 12" / 30 cm FB: 38 Hz	3:1 Ratio
	8.5 L / .3 cu.ft Qtc 0.47	15 L / 0.53 cu.ft P: 2" L: 7.16" / 18.2 cm FB: 42 Hz	28 L / 0.989 cu.ft P.A. 7.75 sq.in L: 12" / 30 cm FB: 38 Hz	3:1 Ratio

*It's essential that our speakers are given time to allow the suspension to soften up. Depending on use, this may take several weeks. While this process is undergoing, it is not recommended to apply full amplification power according to the speaker's specs. Once the moving parts have been broken in, the performance of your speaker will increase. Abuse of the unit is **not** covered by warranty. The warranty does not cover (1) Speakers that have been used for spl purpose in competitions, (2) Damage caused by amplifier clipping or distortion, (3) Exposure to water, oil, solvent & excessive temperatures +/- (5) Cost of shipping to / from authorized service center.