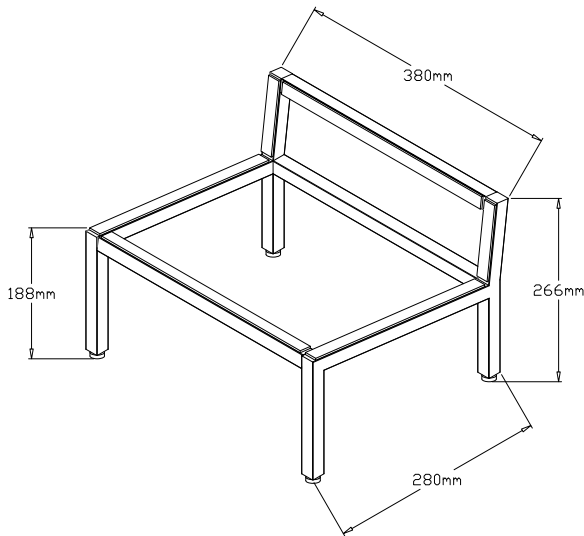


# VINTAGE STAND



## DIMENSIONS



## DESIGN

Finish: *Black satin*

Structure: *Metal tube*

## MAXIMUM LOAD

Stand: *60 kg*

## USABLE DIMENSIONS

Overall dimensions (W x H x D): *380 × 260 × 280 mm*

Rising height: *190 mm*

Weight : *1,42 kg*

## PACKAGING

Quantity/box: *2 pieces (a pair) / 1 carton*

Type: *Brown cardboard*

Dimensions (W x H x D): *TBC*

Gross weight: *TBC*

## MAXIMUM SIZE / WEIGHT



## COLOR(S)

● *Black satin*

SKU: *NORVINSTABK*

EAN: *3700795180532*