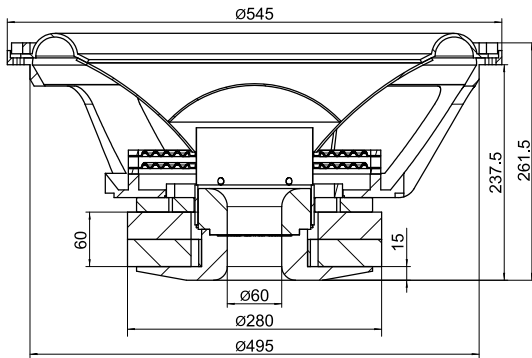
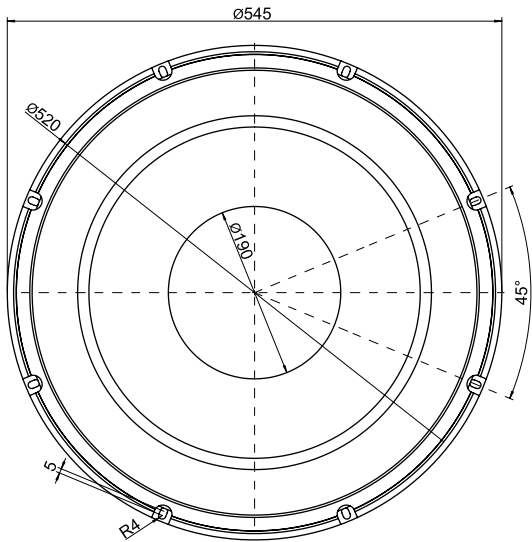




HTS545HE-4 21" High Excursion Subwoofer with 5" Voice Coil 4 Ohm



PARAMETERS

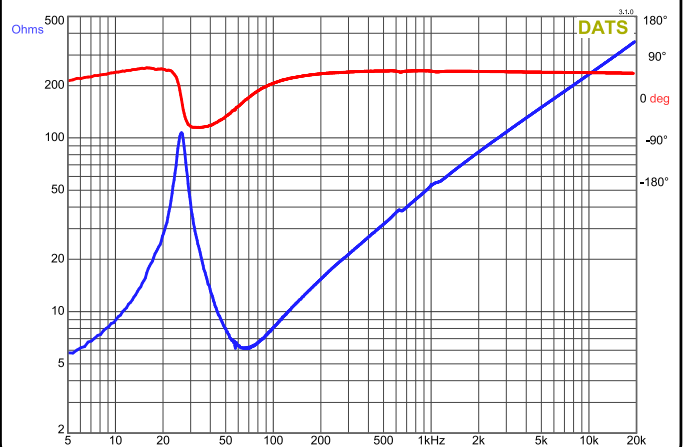
Impedance	4 ohms
Re	3.8 ohms
Le	8.5 mH
Fs	26.3 Hz
Qms	7.90
Qes	0.29
Qts	0.28
Mms	676.0 g
Cms	0.05 mm/N
Sd	1,534 cm ²
Vd	3,222 cm ³
BL	38.2 Tm
Vas	179.0 liters
Xmax	21 mm*
VC Diameter	5"
SPL	95.6 dB @ 2.83V/1m
RMS Power Handling (AES 426B)	2,000 watts
Usable Frequency Range (Hz)	18 - 500 Hz

* at 70% BI (Klippel verified)

FEATURES

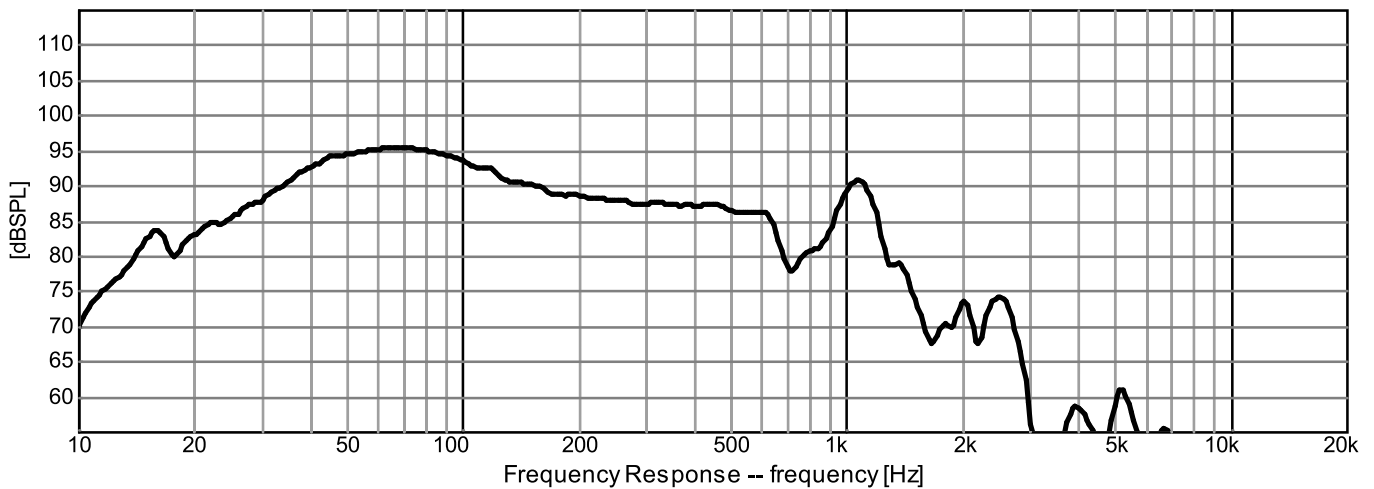
- 21mm of linear one-way excursion
- 2000W RMS power handling
- 5" inner/outer wound voice coil
- Large dual spiders spaced out to promote linearity
- Extensively vented motor to minimize compression
- Audible over-excursion protection system

IMPEDANCE/PHASE



FREQUENCY RESPONSE

OMNIMIC



OmniMic

Note: 1/24th octave smoothing - nearfield response included in graph below 450 Hz.